

SKYLOR

PRO

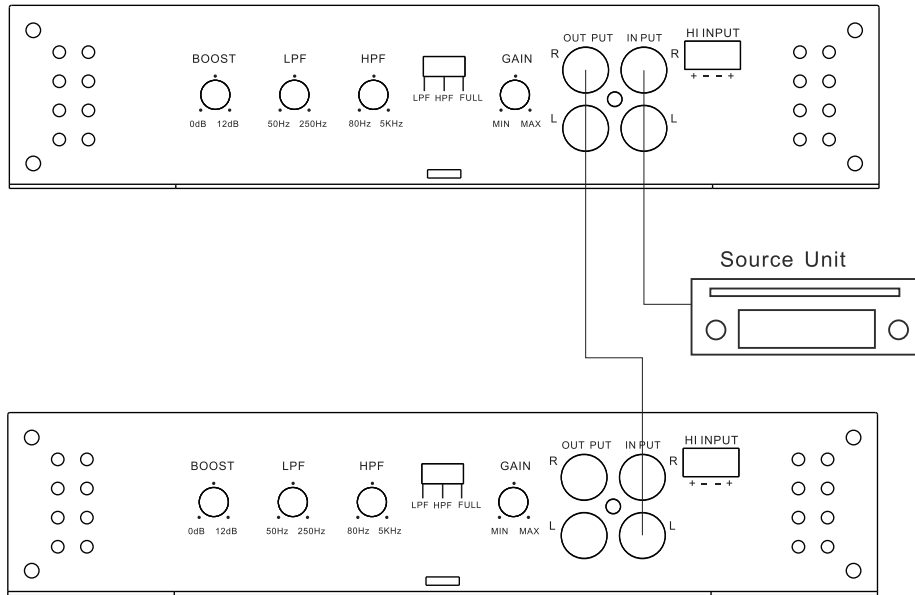
OWNERS MANUAL

SKYLOR AQ-2.60

- We greatly appreciate your purchase of the unit.
- Be sure to take maximum advantage of all the unit has to offer, read these instructions carefully and USE the set properly. Be sure to keep this manual for future reference, should any questions or problems arise.

CAR AMPLIFIER

Fig3 2 CHANNEL AMPLIFIERS INPUT SIGNAL



SPECIFICATION

2 CHANNEL AMPLIFIERS

POWER RMS < 1% DISTORTION

RMS OUTPUT POWER	50WX2CH(@ 4OHM) 90WX2CH(@ 2OHM) 180WX1CH
MAX.POWER	300W
LPF	50Hz-250Hz
HPF	50Hz-5KHz
FREQUENCY RESPONSE	20Hz-30KHz +/-3dB
BASS BOOST	0dB-12dB SELECTABLE
S/N RATIO	90dB
MINIMUM LOAD	STEREO 2 OHM MIN. MONO 4 OHM MIN.
INPUT SENSITIVITY	250mV-9V
INPUT IMPEDANCE	≥20K OHM
PROTECTION SYSTEM	YES
SUPPLY VOLTAGE	DC 10V-14.8V
DIMENSION (LXWXH) MM	220X210X45mm

POWER CONNECTION LEADS

Notes on the Power supply

- * Connect the 12V power supply lead only after all the other leads have been connected.
- * Be sure to connect the ground lead of unit securely to a metal point of the car. A loose connection may cause a malfunction of the amplifier.
- * Be sure to connect the remote control lead of the heat unit to the amplifier s remote terminal. A loose connection may cause a malfunction of the amplifier.
- * When using a car audio without a remote output on the amplifier, connect the remote terminal to the accessory power supply.
- * Use the power supply lead with a fuse attach
- * Place the fuse in the power supply lead as close as possible to the car battery.
- * Make sure that the leads to be connected to the 12V and GND terminal of this unit are larger than 10-gauge (AWG #10) power cables .

SPEAKRS CONNECTIONS

Fig1 2CHANNEL AMPLIFIERS 2-SPEAKER SYSTEM

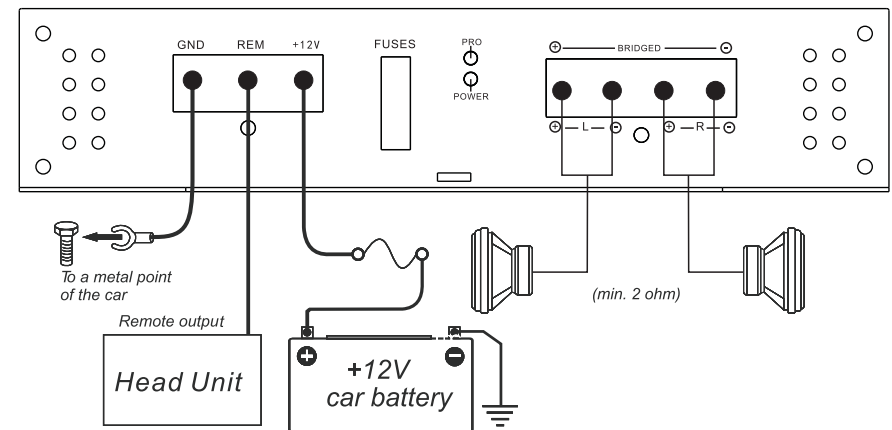


Fig2 2CHANNEL AMPLIFIERS 1-SPEAKER SYSTEM

